

AGS-3091

Mini-ITX System Platform w/ Intel H110 Chip
LGA1151 Core i7/i5/i3/Celeron Skylake CPU
PCIex4 slot, 2HDMI, 2LAN, 8USB, DC Input



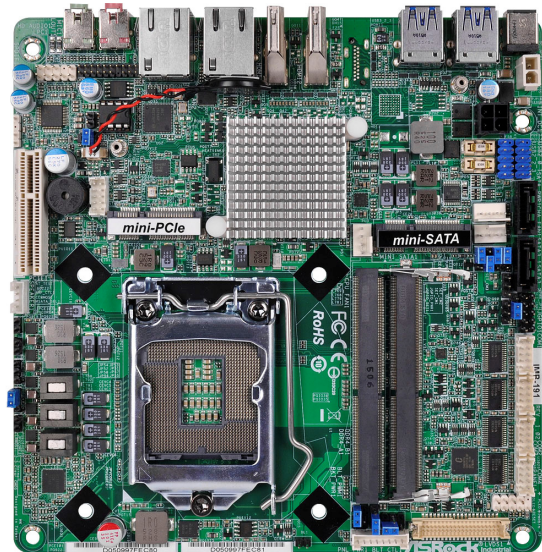
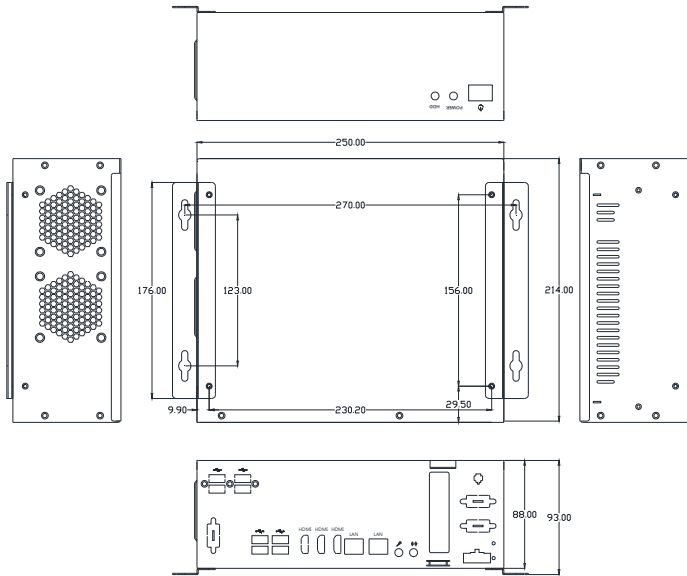
Features

- System is with Intel H110 Chipset and supports Socket LGA1151 Intel Core i7/i5/i3/Celeron (Skylake-S) Processors
- Rich display interfaces by 2xHDMI and LVDS(option)
- Dual LAN, 1x Intel 219V, 1x Intel i210
- Supports one low profile expansion slot for PCIe1 or PCIe4 add-on card
- COM1/2 support RS-232/422/485
- Offers 4x USB 3.0, 4x USB 2.0 on rear I/O, up to 8USB3/4USB2 by UB-120LN PCIe1 low profile card (4 x USB 3.0)
- Supports 2 x SATAIII (6Gb/s) with internal 2x 2.5" HDD cadge.
- Supports DC 12V / 19-24V input by 2-pin connector
- 0°C ~ 60°C harsh operation environment

Specifications

AGS-3285 Series Key Features		AGS-3091-i7-M0-H00P2	AGS-3091-7E-M0-H00P2	AGS-3091-i7-M8-S28-12P2
Processor System	CPU Cores	i7-6700 / 4-Core	i7-6700TE / 4-Core	i7-6700 / 4-Core
	Cache / Speed / Max.P.	8MB / 3.4G / 65W	8MB / 2.4G / 35W	8MB / 3.4G / 65W
	Chipset	H110		
	BIOS	AMI 16Mb SPI		
Expansion Slot	PCIe x 4	1 x PCIe x4 by Low Profile add-on card		
	Mini-PCIe	1 x full-size		
	Riser for PCIe4	1 x riser kit for one PCIe4 slot expansion (Option)		
Memory	Specification (SO-DIMM)	2 x Dual Channel DDR4-2133 MHz SDRAM, up to 16GB system memory		
	Memory Capacity	w/o	w/o	8GB
Graphics(By CPU)	DP(Display Port)	N/A		
	HDMI	2 x HDMI, supports HDMI 1.4a, max resolution 4096X2160		
	VGA	N/A		
Ethernet	Interface Controller	2 x GbE, LAN1: Intel 219V , LAN2: Intel i210		
	Connector	2 x RJ-45		
SATA	SATA III	2 x SATAIII, w/o HDD/SSD	2 x SATAIII, w/o HDD/SSD	1 x 2.5" 128GB SSD
System Rear I/O	HDMI	2 x HDMI		
	Ethernet	2 x RJ45		
	USB 3.0 Type A	4 x USB 3.0		8 x USB 3.0
	USB 2.0 Type-A	4 x USB 2.0		4 x USB 2.0
	Audio	1 x Audio ports (Mic-in, Line-out)		
	SW/RS/PWR/HDD	N/A	N/A	Switch/Reset,PWR/HDD LED
	Serial	2 x DB9 (RS-232/422/485 are selectable by BIOS)		
	DC-IN	1 x DC input by 2-pin phoenix connector		
System Storage	HDD Driver Bay	1 x HDD Cadge for two 2.5" HDD		
Optional Features on Rear I/O	Expansion Add-on Card	Options	Options	4 x USB 3.0 by UB-120LN
	COM4	COM4 (RS-232) by option COM cables		
	GPIO	1 x DB-9 or DB-15 for 4 x GPI + 4 x GPO by inquiry		
Optional Features	LVDS/Backlight PWR	1 x 40-pin dual channel 24-bit LVDS, 1 x 6-pin BLT PWR		
System Fan	DC Fan	1 x dual system fan (60x60x10mm 12VDC FAN)		
System Front Bezel	Power On-Off Switch	1 x Soft switch		N/A
	Power LED	1x LED for system power status		N/A
	HDD LED	1x LED for HDD data access status		N/A
System Power	DC Input	Supports DC-DC input, 12V /19-24V		
Environment	Temperature	Operating	None-operating	
		0 ~ 60°C (32 ~ 140°F)	-20 ~ 80°C (-4 ~ 176°F)	
Physical Size	Dimensions	250mm(W) x 215mm(D) x 88mm(H)		
Packing Size	Dimensions	310mm(W) x 300mm(D) x 180mm(H)		
Weight	N.W. / G.W.	4.0Kg / 4.5Kg		
Certifications	CE (EMC)/FCC	Class B		
	CB	N/A		
	UL/CSA	N/A		
	CCC	N/A		
	ROHS	Compliance		

Dimension Drawing



Ordering Information

Part Number	CPU	Chip	HDMI	GbE	USB 3.0	USB 2.0	COM1/2	DRAM	HDD/SSD	DC-Input
AGS-3091-i7-M0-H00P2	i7-6700	H110	2	2	4	4	RS-232/422/485	w/o	w/o	12V/19-24V
AGS-3091-7E-M0-H00P2	i7-6700TE	H110	2	2	4	4	RS-232/422/486	w/o	w/o	12V/19-24V
AGS-3091-5E-M0-H00P2	i5-6500TE	H110	2	2	4	4	RS-232/422/486	w/o	w/o	12V/19-24V
AGS-3091-i7-M8-S28-12P2	i7-6700	H110	2	2	8	4	RS-232/422/485	8GB	128GB	12V/19-24V
AGS-3091-i7-M16-S28-12P2	i7-6700	H110	2	2	8	4	RS-232/422/485	16GB	128GB	12V/19-24V

Optional Items

Part Number	Description
SODIMM-DDR4-4GB	SODIMM DDR4 2133MHz, 4GB
SODIMM-DDR4-8GB	SODIMM DDR4 2133MHz, 8GB
Intel i7-6700	Intel Core i7-6700 Processor, LGA-1151, 4-Core, 8MB SmartCache, 3.4GHz, 65W
Intel i7-6700TE	Intel Core i7-6700TE Processor, LGA-1151, 4-Core, 8MB SmartCache, 2.4 GHz, 35W
Intel i5-6500TE	Intel Core i5-6500TE Processor, LGA-1151, 4-Core, 6MB SmartCache, 2.3 GHz, 35W
SSD3-128	2.5" SATA3 SSD MLC, 128GB
SA-HD-500	2.5" SATA HDD 500GB, 5400RPM
SA-HG-500	2.5" SATA HDD 500GB, 7200RPM for 7x24
SA-HG-1TB	2.5" SATA HDD 1TB, 7200RPM for 7x24
ECC-01025	CPU cooler for Intel Socket LGA1151 CPU, 80 x 80 x 38(H)mm, low profile cooler
K785	CPU cooler for Intel Socket LGA1150/1151/1155/1156 CPU, 90 x 90 x 62(H)mm
UB-120LN	USB 3.0 External 4x Port , low profile PCIe1 add-on card
AIS-WM-BK	AIS Chassis Wall Mount Bracket Kits, Black, with Screws (Same design for AIS-2000 and AGS-3000 series)
COM-140-L35	COM cable with 2x5,10-pin 2.0 pitch box header connector and D-SUB9 male for extra COM port, cable length 350mm